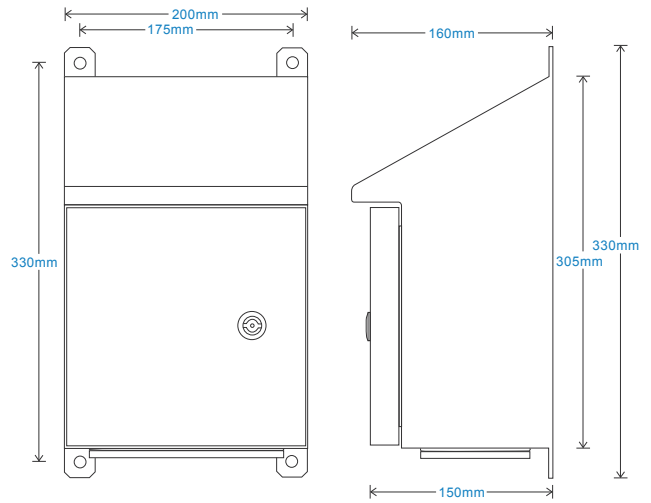


HS-CE-SRM 接线盒 带防护顶的不锈钢

主要特点

- 带防护顶可防止灰尘和污垢沉降
- 提供一个通过便携式数据收集器从加速度计读取数据的端子
- 一拖多输出



Technical Performance

Inputs	Via accelerometer	Door	Lock and polyamide key
Output	BNC as standard (TNC as alternative)	Glanding	Glands supplied but not fitted
Mounting Board	PCB Panel		Holes are punched for:
Material	304 Stainless Steel		Single input M12 - \varnothing 3.5-7mm cable
Dimensions	see: 'How To Order' table		Single input M20 - \varnothing 7-13mm multi-core cable
Sealing	IP65		Multi input M20 - 3 x \varnothing 5.3mm
Termination	Klippon Type	Labelling	Channel locations - other labelling available upon request
		Mounting	supplied are 4 x Brackets
		EMC	EN61326-1:2013

How To Order

