

微型压电 高灵敏度 IEPE 单轴加速度计：A/121/V

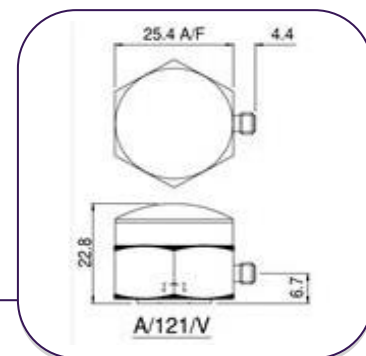
灵敏度：100mV/g ~ 3V/g (±10%) 重量：90g 最高温度：185 °C



利用独特的，高输出的Konic剪切IEPE振动传感器压电陶瓷传感器的技术优越的Konic剪切设计。A / 121具有高达3V / g的灵敏度，可提供1.6g的测量范围，可用于测量低水平建筑物的振动以及存在最小振动的其他应用。

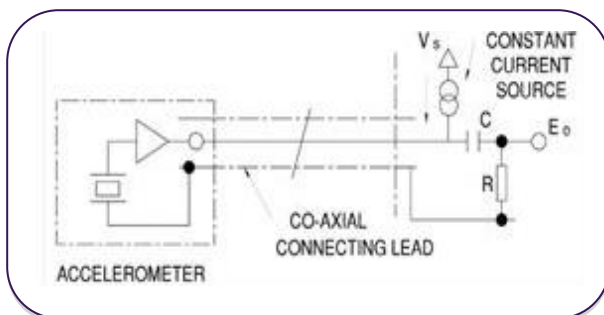
使用各种IEPE信号调理电平，A / 121范围可以直接与各种市售振动频谱分析仪和数据采集系统以及我们自己的VV / 04, V3 / 04, V4 / 04和CV9接口 信号调理器，提供一系列标准化和放大选项。

所示的电压灵敏度是标准的。我们可以根据要求提供各种灵敏度，并建议对应用进行评估以确定所需的灵敏度。

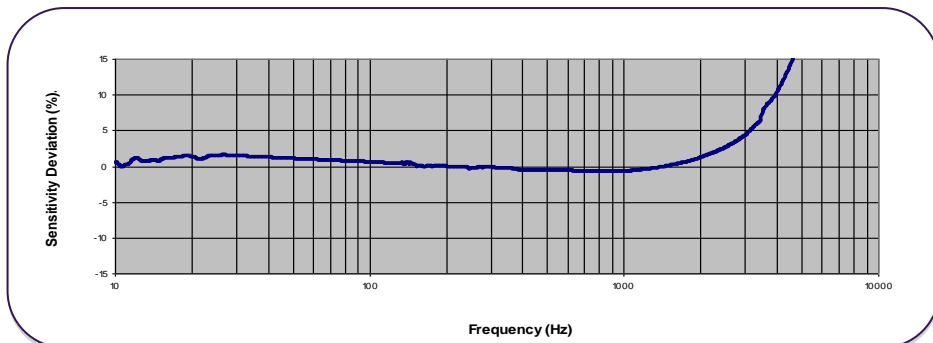


Typical Spectral Noise (100mV/g)

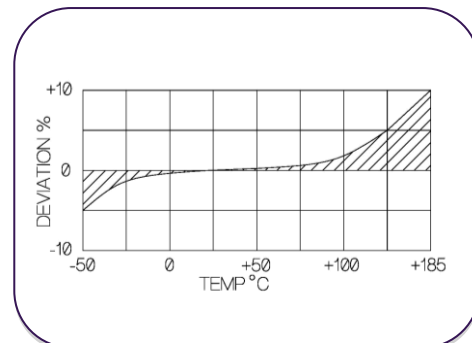
1Hz	732 $\mu\text{g}/\sqrt{\text{Hz}}$
10Hz	82.1 $\mu\text{g}/\sqrt{\text{Hz}}$
100Hz	16.2 $\mu\text{g}/\sqrt{\text{Hz}}$
1kHz	4.2 $\mu\text{g}/\sqrt{\text{Hz}}$
10kHz	3.1 $\mu\text{g}/\sqrt{\text{Hz}}$



Typical Frequency Response



Temperature Response



Please note: For information and reference only. Data should not be used as pass / fail criteria for calibration purposes

微型压电 高灵敏度 IEPE 单轴加速度计：A/121/V

灵敏度：100mV/g ~ 3V/g (±10%) 重量：90g 最高温度：185 °C



	公制		英制	
	Voltage Sensitivity ±10%	10.2mV/(m/s ²)	0.3V/(m/s ²)	100 mV/g
Resonant frequency	9 kHz			
Typical Frequency Response ±5% ±10%	1Hz – 2kHz 0.7Hz – 3kHz			
Cross Axis error	≤5%			
Temperature Range	-50/+185°C		-58/+365°F	
Voltage sensitivity deviation (20°C/68°C)	-5% @ -50°C +5% @ +125°C +/-10% @ +185°C		-5% @ -58°F +5% @ +257°F +/-10% @ +365°F	
Supply voltage	15/35 V DC			
Supply current	2/15 mA			
Bias voltage	8/10 V DC			
Max continuous accn. g sine	4903m/s ²		500g	
Settling time to 90% final val. secs	<1			
Base Strain Sensitivity	≤ 5%		≤ 5%	
Noise level, equiv. mg	2			
Case material	Stainless steel, 303 S31			
Mounting	Base tapped hole, 10-32 UNF x 4mm deep		Base tapped hole, 10-32 UNF x 0.16in deep	
Weight	90gm		3.17oz	
Case seal	Welded hermetic connector (TNC)			
Connector	10-32 UNF Microdot, TNC			
Size	25.4 (A/F) x 22.8mm		1 (A/F) x 0.90in	

Options:

Version A/121/VI incorporates a three pole band pass filter for noise rejection with a case isolated signal outlet for common mode interference rejection.

Available as a high temperature 185°C IEPE Version

A/121/V – Side entry
A/121/VI – Side entry

Please note: For information and reference only. Data should not be used as pass / fail criteria for calibration purposes