

HS-150 Premium Accelerometer

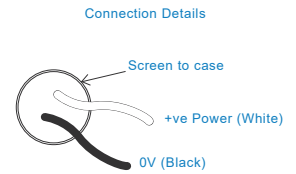
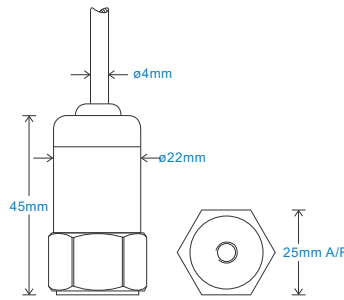
AC acceleration output via Flame Retardant Cable

Key Features

- For use with data collector
- Premium design
- Low smoke, halogen free cable

Industries

Building services, Pulp and Paper,
Mining, Metals, Utilities, Automotive,
Water, Pharmaceutical



Technical Performance

Mounted Base Resonance	see 'How To Order' table (nominal)
Sensitivity	see: 'How To Order' table $\pm 10\%$ Nominal 80Hz at 22°C
Frequency Response	1.5Hz (90cpm) to 10kHz (600kcpm) $\pm 5\%$ 0.5Hz (30cpm) to 12kHz (720kcpm) $\pm 10\%$ 0.2Hz (12cpm) to 15kHz (900kcpm) $\pm 3dB$
Isolation	Base isolated
Range	see: 'How To Order' table
Transverse Sensitivity	Less than 5%

Mechanical

Case Material	Stainless Steel
Sensing Element/Construction	PZT/Shear
Mounting Torque	8Nm
Weight	106gms (nominal) body only
Maximum Cable Length	1000 metres
Standard Cable Length	5 metres
Screened Cable	Flame Retardant - length to be specified with order
Mounting Threads	see: 'How To Order' table

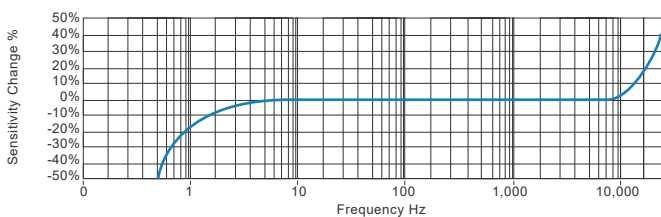
Electrical

Excitation Voltage:	18-30Volts DC
Electrical Noise	0.1mg max
Current Range	0.5mA to 8mA
Bias Voltage	10 - 12 Volts DC
Settling Time	2 seconds
Output Impedance	200 Ohms max.
Case Isolation	$>10^8$ Ohms at 500 Volts

Environmental

Operating Temperature Range	-40 to 100°C
Sealing	IP65
Maximum Shock	5000g
EMC	EN61326-1:2013

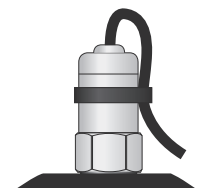
Typical Frequency Response (at 100mV/g)



Applications

Fans, Motors, Pumps, Compressors,
Centrifuges, Conveyors, Air Handlers,
Gearboxes, Rolls, Dryers, Presses,
Cooling, VAC, Spindles, Machine Tooling,
Process Equipment

Vibration sensor should be firmly fixed to a flat surface
(spot face surface may be needed to be produced and
cable anchored to sensor body.)



How To Order

Product Prefix	Product Series	Cable Length (if integral cable)												
HS - Hansford Sensors	150 - Premium Industrial Vibration Sensor	QXX - length specified in metres												
H	S	1	5	0	X	X	X	X	X	X	X	X	X	X
Extra Options (if required)		Sensitivity		Range		Resonant Frequency		Cable/Connector			Mounting Threads			
F - Filtered		010 - 10mV/g		$\pm 800g$		34kHz (2,040kcpm)		01 - PUR			01 - 1/4-28" UNF Female			
L - 316L Stainless Steel		030 - 30mV/g		$\pm 250g$		33kHz (1,980kcpm)		02 - Braided			02 - 1/4-28" UNF Male			
RT - Temperature Output PT100		050 - 50mV/g		$\pm 160g$		32kHz (1,920kcpm)		07 - Silicon			05 - Quick Fit Female			
S - 90° Side Exit		100 - 100mV/g		$\pm 80g$		30kHz (1,800kcpm)		08 - Flame Retardant			06 - M6 x 1mm Male			
T - Temperature Output		250 - 250mV/g		$\pm 32g$		28kHz (1,680kcpm)		50 - 2 Pin MS			08 - M8 x 1.25mm Male			
Y - 5% tolerance on sensitivity		500 - 500mV/g		$\pm 16g$		26kHz (1,560kcpm)		54 - M12			10 - M10 x 1.5mm Male			



T: 150 210 98804

www.hansfordsensors.com.cn

汉施弗德传感器（上海）有限公司

