

HS-150ST Premium Accelerometer

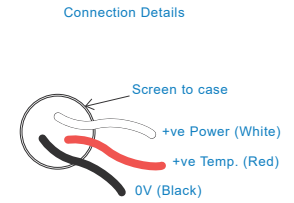
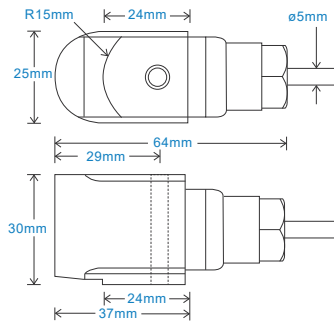
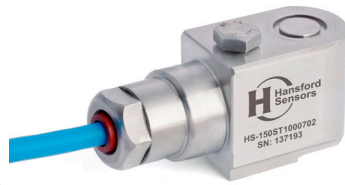
AC acceleration and temperature output via Silicon Cable

Key Features

- Temperature output
- Side entry for easy access
- Waterproof

Industries

Building services, Pulp and Paper, Mining, Metals, Utilities, Automotive, Water, Pharmaceutical



Technical Performance

| | |
|------------------------|---|
| Mounted Base Resonance | see 'How To Order' table (nominal) |
| Sensitivity | see: 'How To Order' table $\pm 10\%$ Nominal 80Hz at 22°C |
| Frequency Response | 1.5Hz (90cpm) to 10kHz (600kcpm) $\pm 5\%$ 0.5Hz (30cpm) to 12kHz (720kcpm) $\pm 10\%$ 0.2Hz (12cpm) to 15kHz (900kcpm) $\pm 3dB$ |
| Isolation | Base isolated |
| Range | see: 'How To Order' table |
| Temperature Output | 10 mV/°C standard 100°C - Option 130°C |
| Transverse Sensitivity | Less than 5% |

Mechanical

| | |
|------------------------------|---|
| Case Material | Stainless Steel |
| Sensing Element/Construction | PZT/Shear |
| Mounting Torque | 8 Nm |
| Mounting Bolt Provided | see: 'How To Order' table x 35mm long |
| Weight | 205gms (nominal) body only |
| Maximum Cable Length | 1000 metres |
| Standard Cable Length | 5 metres |
| Screened Cable | Silicon - length to be specified with order |
| Mounting Threads | see: 'How To Order' table |
| Submersible Depth | 100 metres max (10 bar) |

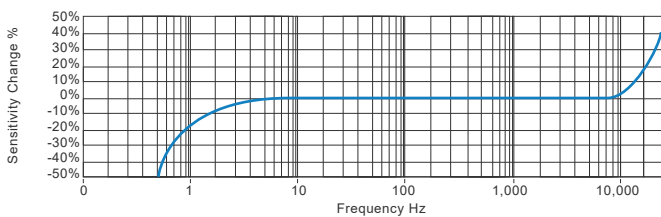
Electrical

| | |
|---------------------|---------------------------|
| Excitation Voltage: | 18-30Volts DC |
| Electrical Noise | 0.1mg max |
| Current Range | 0.5mA to 8mA |
| Bias Voltage | 10 - 12 Volts DC |
| Settling Time | 1 second |
| Output Impedance | 200 Ohms max. |
| Case Isolation | $>10^8$ Ohms at 500 Volts |

Environmental

| | |
|-----------------------------|----------------|
| Operating Temperature Range | -50 to 150°C |
| Sealing | IP68 |
| Maximum Shock | 5000g |
| EMC | EN61326-1:2013 |

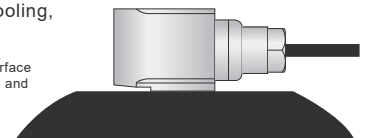
Typical Frequency Response (at 100mV/g)



Applications

Fans, Motors, Pumps, Compressors, Centrifuges, Conveyors, Air Handlers, Gearboxes, Rolls, Dryers, Presses, Cooling, VAC, Spindles, Machine Tooling, Process Equipment

Vibration sensor should be firmly fixed to a flat surface (spot face surface may be needed to be produced and cable anchored to sensor body.)



How To Order

| | | | | | | | | | | | | | | | |
|--|---|---|---|---|---|----------|----------|----------|----------|----------|----------|----------|----------|----------|----------|
| Product Prefix HS - Hansford Sensors | Product Series 150 - Premium Industrial Vibration Sensor | Cable Length (if integral cable) QXX - length specified in metres | | | | | | | | | | | | | |
| H | S | 1 | 5 | 0 | S | T | X | X | X | X | X | X | X | X | X |
| Extra Options (if required) F - Filtered L - 316L Stainless Steel S - 90° Side Exit T - Temperature Output Y - 5% tolerance on sensitivity | Sensitivity 010 - 10mV/g 030 - 30mV/g 050 - 50mV/g 100 - 100mV/g 250 - 250mV/g 500 - 500mV/g | Range $\pm 800g$ $\pm 250g$ $\pm 160g$ $\pm 80g$ $\pm 32g$ $\pm 16g$ | Resonant Frequency 34kHz (2,040kcpm) 33kHz (1,980kcpm) 32kHz (1,920kcpm) 30kHz (1,800kcpm) 28kHz (1,680kcpm) 26kHz (1,560kcpm) | Cable/Connector 01 - PUR 03 - Braided 07 - Silicon 15 - Flame Retardant 52 - 3 Pin MS 54 - M12 | Mounting Threads 02 - ¼-28" UNF Male 06 - M6 x 1mm Male 08 - M8 x 1.25mm Male | | | | | | | | | | |



T: 150 210 98804

www.hansfordsensors.com.cn

汉施弗德传感器（上海）有限公司

