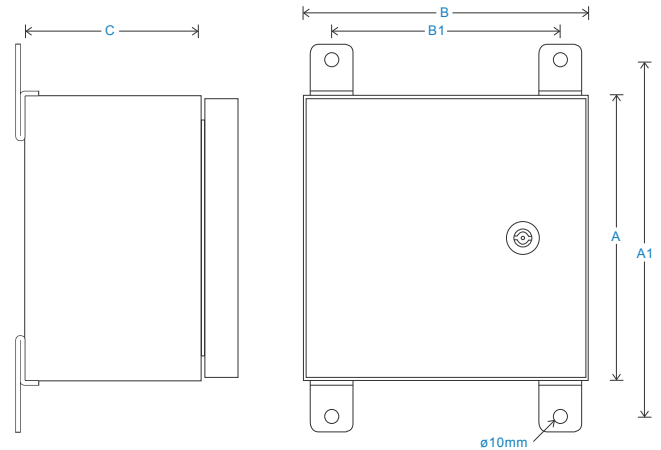


# HS-SE-M 开关盒 低碳钢材质

## 主要特点

- BNC接插件和2针MS接插件输出
- 提供一个通过便携式数据收集器从加速度计读取数据的端子
- 一拖多输出
- 易于安装



dimensions to be specified in 'how to order' table

## Technical Performance

Inputs	Via accelerometer	Door	Twist Handle
Output	BNC and 2 Pin MS as standard	Glanding	Glands supplied but not fitted
Mounting Board	PCB Panel		Holes are punched for:
	(customisable upon request)		Single input M12 - $\varnothing$ 3.5-7mm cable
Material	Mild Steel painted RAL 7042 as standard (alternatives can be specified in options of 'How To Order' table)		Single input M20 - $\varnothing$ 7-13mm multi-core cable
			Multi input M20 - 3 x $\varnothing$ 5.3mm
Dimensions	see: diagram	Labelling	Channel locations - other labelling available upon request
Termination	Spring-loaded terminal (no screwdriver required)	Mounting	supplied are 4 x Brackets
Sealing	IP66	EMC	EN61326-1:2013

## How To Order

