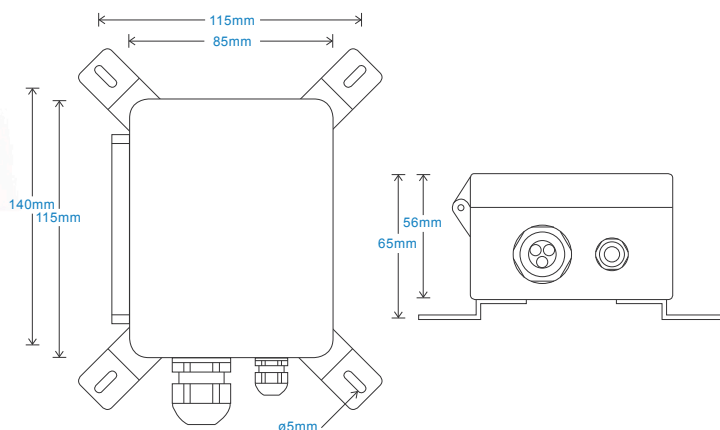


HS-DE 压铸外壳 粉末涂层黑铝材质

主要特点

- 提供一个通过便携式数据收集器从加速度计读取数据的端子
- 一拖多输出



Technical Performance

Inputs	Via accelerometer	Glanding	Glands supplied but not fitted
Output	BNC		Holes are punched for:
Material	Powdercoated Black Aluminium		Single input M12 - \varnothing 3.5-7mm cable
Dimensions	see: diagram		Single input M20 - \varnothing 7-13mm multi-core cable
Sealing	IP66		Multi input M20 - 3 x \varnothing 5.3mm
Termination	Industrial connectors	Mounting	supplied are 4 x Brackets
Door	Single latch closing	EMC	EN61326-1:2013

How To Order

