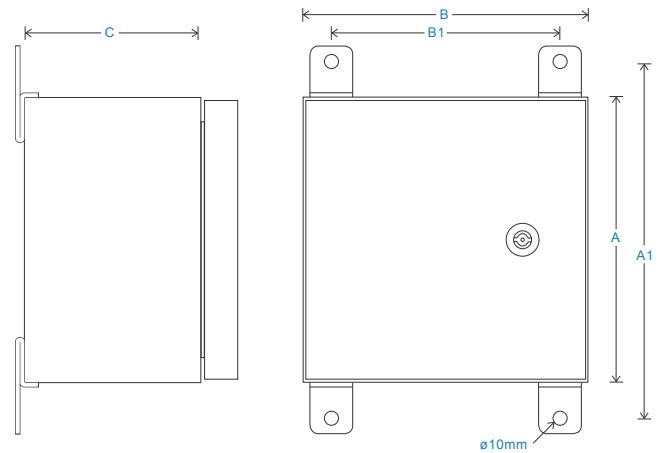


HS-CEI 连接盒 不锈钢-带安全栅

主要特点

- 提供一个通过便携式数据收集器从加速度计读取数据的端子
- 一拖多输出



dimensions to be specified in 'how to order' table

Technical Performance

Inputs	Via accelerometer	Glanding	Glands supplied but not fitted
Output	BNC as standard (alternatives can be specified in 'How To Order' table)		Holes are punched for: Single input M12 - ø3.5-7mm cable Single input M20 - ø7-13mm multi-core cable Multi input M20 - 3 x ø5.3mm
Mounting Board	Engraved traffolyte panel (customisable upon request)	Labelling	Channel locations - other labelling available upon request
Material	304 Stainless Steel (to be specified in options of 'How To Order' table)	Mounting	supplied are 4 x Brackets
Dimensions	see: 'How To Order' table	Safety Barrier	MTL 7728 Zener Barrier (BAS01ATEX7217) M06-027-B
Sealing	IP66	EMC	EN61326-1:2013
Termination	Klippon Type		
Door	Lock and polyamide key		

How To Order

