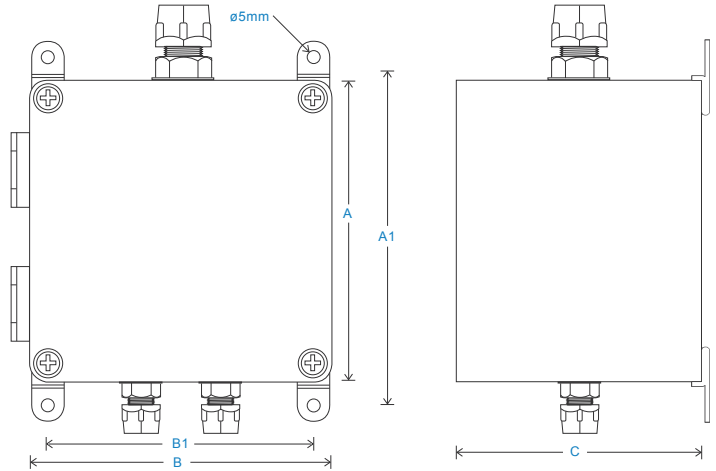
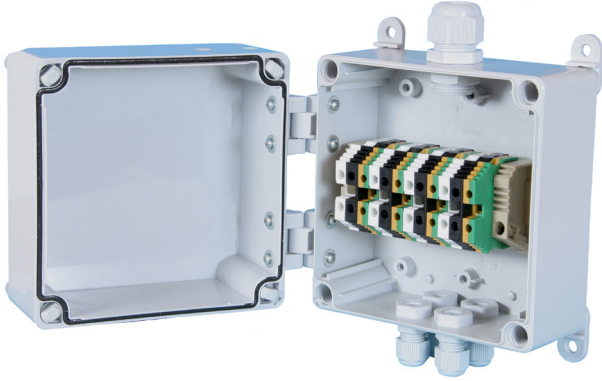


# HS-JE 接线盒

聚碳酸酯纤维材质

## 主要特点

- 加速度计电缆接头
- 易于安装
- 灵活的组合



## Technical Performance

Inputs	Accelerometer cabling	Glanding	Glands supplied but not fitted
Output	Multi-core glanding		Holes are punched for:
Material	Polycarbonate (to be specified in options of 'How To Order' table)		Single input M12 - $\varnothing$ 3.5-7mm cable
Dimensions	see: 'How To Order' table		Single input M20 - $\varnothing$ 7-13mm multi-core cable
Sealing	IP66	Labelling	Multi input M20 - 3 x $\varnothing$ 5.3mm
Termination	Klippon Type		Channel locations - other labelling available upon request
Operating Temperature Range	-20 to 130°C	Mounting	supplied are 4 x Brackets
		EMC	EN61326-1:2013

## How To Order

