

HS-421SRT Accelerometer

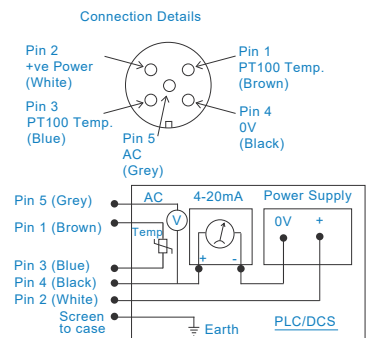
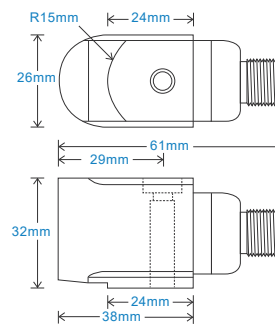
4-20mA velocity, AC acceleration and PT100 temperature output via 5 Pin M12 Connector

Key Features

- Unique output
- For use with PLC/DCS systems and data collectors
- Side entry for easy access

Industries

Building services, Pulp and Paper, Mining, Metals, Utilities, Automotive, Water, Pharmaceutical



Technical Performance

Mounted Base Resonance	5kHz min
Velocity Ranges	see: 'How To Order' table ±10% Nominal 80Hz at 22°C
Frequency Response: 4-20mA	10Hz (600cpm) to 1kHz (60kcpm) ± 5% - ISO10816
Frequency Response: AC	2Hz (120cpm) to 10kHz (600kcpm) ± 5% - ISO10816
Isolation	Base isolated
Range	see: 'How To Order' table
Temperature Output	PT100(100 Ohms)
Transverse Sensitivity	Less than 5%

Mechanical

Case Material	Stainless Steel
Sensing Element/Construction	PZT/Shear
Mounting Torque	8Nm
Mounting Bolt Provided	see: 'How To Order' table x 35mm long
Weight	185gms (nominal) body only
Screened Cable Assembly	HS-AC303 - straight HS-AC032 - right angle
Mounting Threads	see: 'How To Order' table

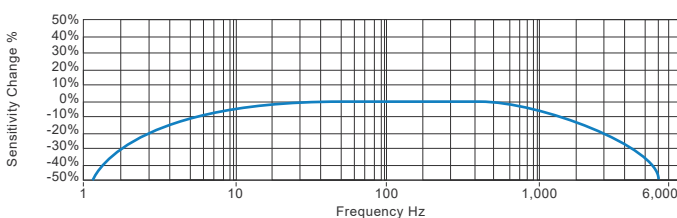
Electrical

Outputs	4-20mA DC current proportional to Range and AC acceleration
Bias Voltage	3 Volts DC (nominal)
Supply Voltage	15-30 Volts DC (for 4-20mA)
Settling Time	1 second
Output Impedance	Loop Resistance 600 Ohms max. at 24 Volts
Case Isolation	>10 ⁸ Ohms at 500 Volts

Environmental

Operating Temperature Range	-25 to 90°C
Sealing	IP67
Maximum Shock	5000g
EMC	EN61326-1:2013

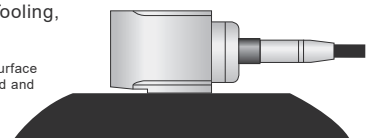
Typical Frequency Response (4-20mA signal)



Applications

Fans, Motors, Pumps, Compressors, Centrifuges, Conveyors, Air Handlers, Gearboxes, Rolls, Dryers, Presses, Cooling, VAC, Spindles, Machine Tooling, Process Equipment

Vibration sensor should be firmly fixed to a flat surface (spot face surface may be needed to be produced and cable anchored to sensor body.)



How To Order

Product Prefix HS - Hansford Sensors	Product Series 421 - Industrial Vibration Sensor														
H	S	4	2	1	S	R	T	X	X	X	X	X	X		
Extra Options (if required) F - Filtered L - 316L Stainless Steel RT - Temperature Output PT100 S - 90° Side Exit T - Temperature Output				P - Peak Range PP - Peak to Peak Range		Velocity Range (RMS unless specified) 010 - 0-10 mm/sec 020 - 0-20 mm/sec 025 - 0-25 mm/sec 050 - 0-50 mm/sec 100 - 0-100 mm/sec		Sensitivity 100mV/g 100mV/g 100mV/g 100mV/g 100mV/g		Range ±80g ±80g ±80g ±80g ±80g		Cable/Connector 53 - 5 Pin M12		Mounting Threads 02 - ¼-28° UNF Male 06 - M6 x 1mm Male 08 - M8 x 1.25mm Male	



T: 150 210 98804

www.hansfordsensors.com.cn

汉施弗德传感器（上海）有限公司

