

HS-483 Triaxial Accelerometer

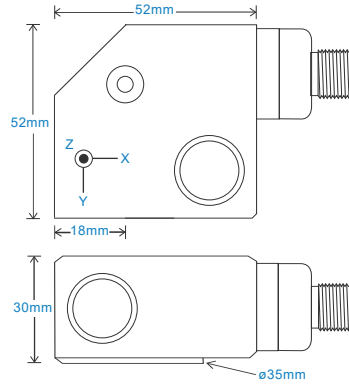
4-20mA acceleration output via 8 Pin M12 Connector

Key Features

- For use with PLC/DCS systems
- Customisable features

Industries

Building services, Pulp and Paper, Mining, Metals, Utilities, Automotive, Water, Pharmaceutical



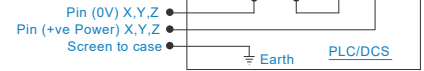
Connection Details

- Pin 1 - White - X Power
- Pin 2 - Brown - X 0V
- Pin 3 - Green - Temp Out
- Pin 4 - Yellow - Y Power
- Pin 5 - Black - Y 0V
- Pin 6 - Purple - Temp 0V
- Pin 7 - Blue - Z Power
- Pin 8 - Red - Z 0V



Temp Sensor

- Pin 1 - +
- Pin 3 - Temp Out
- Pin 6 - 0V



Technical Performance

Mounted Base Resonance	17kHz (nominal)
Acceleration Ranges	see: 'How To Order' table $\pm 10\%$ Nominal 80Hz at 22°C
Frequency Response	10Hz (600cpm) to 5kHz (300kcpm) $\pm 5\%$ - ISO10816
Isolation	Base isolated
Range	see: 'How To Order' table
Transverse Sensitivity	Less than 5%

Mechanical

Case Material	Stainless Steel
Sensing Element/Construction	PZT/Shear
Mounting Torque	8Nm
Mounting Bolt Provided	see: 'How To Order' table x 37mm long
Weight	530 gms (nominal) body only
Screened Cable Assembly	HS-AC731
Mounting Threads	see: 'How To Order' table

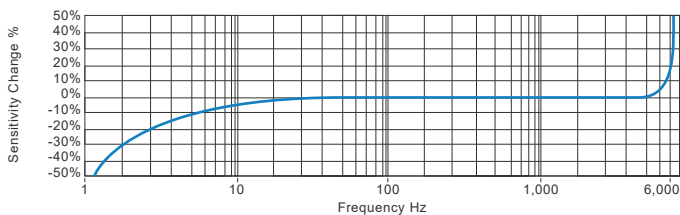
Electrical

Current Output	4-20mA DC proportional to acceleration
Supply Voltage	15-30 Volts DC (for 4-20mA)
Settling Time	1 second
Output Impedance	Loop Resistance 600 Ohms max. at 24 Volts
Case Isolation	$>10^8$ Ohms at 500 Volts

Environmental

Operating Temperature Range	-25 to 120°C
Sealing	IP67
Maximum Shock	5000g
EMC	EN61326-1:2013

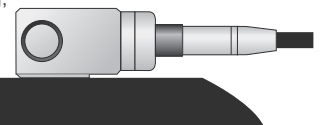
Typical Frequency Response



Applications

Fans, Motors, Pumps, Compressors, Centrifuges, Conveyors, Air Handlers, Gearboxes, Rolls, Dryers, Presses, Cooling, VAC, Spindles, Machine Tooling, Process Equipment

Vibration sensor should be firmly fixed to a flat surface (spot face surface may be needed to be produced and cable anchored to sensor body.)



How To Order

Product Prefix HS - Hansford Sensors	Product Series 483 - Industrial Vibration Sensor													
H	S	4	8	3	X	X	X	X	X	X	X			
Extra Options (if required) F - Filtered L - 316L Stainless Steel RT - Temperature Output PT100 T - Temperature Output					P - Peak Range PP - Peak to Peak Range			Acceleration Range (RMS unless specified) 001 - 0-1g 002 - 0-2g 005 - 0-5g 010 - 0-10g 100 - 0-100g			Cable/Connector 66 - 8 Pin Connector		Mounting Threads 02 - 1/4-28" UNF Male 06 - M6 x 1mm Male 08 - M8 x 1.25mm Male	



T: 150 210 98804
www.hansfordsensors.com.cn
汉施弗德传感器（上海）有限公司

